

## Specification

Model	LIRDNTAD130
Pick up Element	1/3" SONY 1.4Megapixel CMOS Sensor
Effective Picture Elements (H×V)	1305(H) X1049(V)
Resolution	720P
Minimum Illumination	0.001 Lux/F1.2
S/N Ratio	More than 50dB
Scanning System	Progressive
Synchronous System	Internal, Negative sync.
IR Distance	30 Meters (with $\varnothing$ 5x 36 PCS Infrared LED )
Video Output	AHD,CVBS
Auto Gain Control	Auto
Power/Current	DC12V(+/-10%)/450mA
Lens	2.8-12mm Manual Zoom Lens
Dimension (mm)	$\varnothing$ 131x 93(H)
Weight (g)	800
Storage Temperature	-30~+60°C RH95% MAX
Operating Temperature	-10~+50°C RH95% MAX

## Packing List

No	Name	Model	Number
1.	Vandalproof IR Dome Color Camera	LIRDNTAD130	1
2.	User Guide	LIRDNTAD130	1

Franchiser:

## LIRDNTAD130 Color Camera

Vandalproof IR Dome Color Camera



**Notes : Before providing power for the camera, please read this User Guide in detail!**

Do not attempt to disassemble the camera. If the camera can not work, please contact local franchiser or our company.

## BRIEF OF PRODUCT

### \* Sensor (CMOS)

Adopt SONY 1/3" CMOS Sensor.

### \* Auto Gain Control (AGC)

Built-in auto gain control (AGC) circuit. The color camera can get high definition picture in low Lux condition.

### \* Scanning Mode

NTSC or PAL mode.

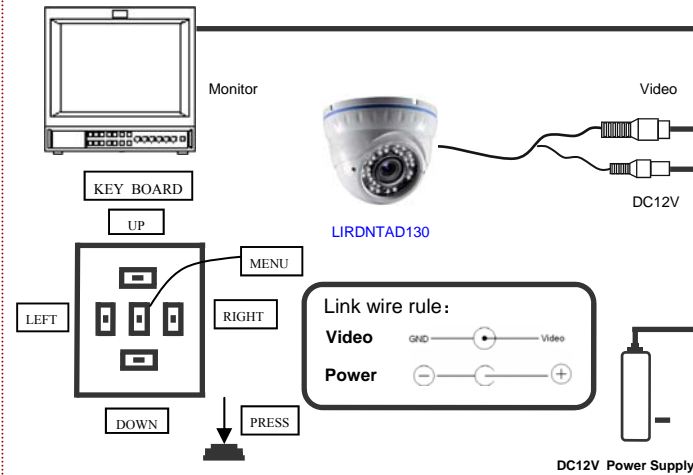
### \* OSD SETTING

CVBS MODE: hold left key 5s. AHD MODE : hold right key 5s.

System switching : hold down key 5s.

	LENS	MANUAL/DC
EXPOSURE	SHUTTER	AUTO,1/30,1/60,FLK,1/240,1/480,1/1000,1/2000,1/5000,1/10000,1/50000,X2,X4,X6,X8,X10,X15,X20,X25,X30
	AGC	0-15
	SENS-UP	AUTO(X2-X30)/OFF
	BRIGHTNESS	0-100
	D-WDR	OFF/ON
	DEFOG	OFF/AUTO
BACK LIGHT		OFF
		BLC:LEVEL/AREA /DEFAULT
		HSBLC:SELECT AREA/DISPLAY/BLACK MASK/LEVEL/MODE/DEFAULT
WHITE BAL.		ATW/AWC→SET/INDOOR/OUTDOOR/MANUAL/AWB
DAY & NIGHT	EXT	D→N(DELAY)/N→D(DELAY)
	AUTO	D→N(AGC)/D→N(DELAY)/N→D(AGC)/N→D(DELAY)
	COLOR	
	B/W	BURST/IR SMART/IR PWM
NR	2DNR	OFF/LOW/MIDDLE/HIGH
	3DNR	OFF/LOW/MIDDLE/HIGH
SPECIAL	CAM TITLE	OFF/ON
	D-EFFECT	FREEZE/MIRROR/NEG.IMAGE
	MOTION	SELECT AREA1-4/DISPALY/SENSITIVITY/COLOR/TRANS/ALARM/DEFAULT
	PRIVACY	OFF/ON
	LANGUAGE	ENG/CHN1/CHN2/GER/FRA/ITA/SPA/POL/RUS/POR/NED/TUR
	DEFECT	LIVE DPC
		WHITE DPC
		BLACK DPC
RS485		CAM ID:0-255
		ID DISPLAY
		BAUDRATE:2400/4800/9600/19200/38400
ADJUST	SHARPNESS	AUTO/OFF
	MONITOR	LCD/CRT
	LSC	OFF/ON
	VIDEO.OUT	PAL/NTSC

## CONNECTING



## TROUBLE AND SOLUTION

### 1. No Picture after providing power

- May be the power supply voltage abnormality, please check the power supply voltage and pole whether exactitude.
- Please check all the connecting cable and monitors whether be connected correctly or not.

### 2. The picture level direction have flowing interference ripples

- May be caused by the power supply AC ripples, it need filter the wave of the power supply.
- Check the monitor and peripheral equipments used.

### 3. The picture background color changes continuously

- The fluorescent lamp's electromagnetic field cause color roll. This is proper phenomenon of the cameras.
- Reduce the fluorescent lamp numbers or increase the distance between the camera and the fluorescent lamps can improve it.
- Use power supply external sync. camera can solve it.

### 4. The picture smear too mass

- The power supply's voltage unstable.
- Connecting cables not connect correctly or have high impedance.



### Notes:

- The power supply must through safe attestation. Its output voltage, current, voltage polarity and operating temperature must match the camera's requirement.
- When using the camera in the thunderbolt condition, please note to mount Anti-thunder device or put off the power supply plug and cable.
- In order to capture high quality pictures, the power supply's cable and video output cable should not be too long.

## INTRODUCTION

Congratulations on your purchase of this product. This User Guide suits LIRDNTAD130 product. We adopt the latest SONY technical of sensor and driver. The most attractive characteristics are small and easy hidden, suits the elevator and corridor. In addition, it owns the characters of high definition and stability, strong anti-jamming, rich and real color. Fixing and using this model are convenient too. It is very good for you to apply to your CCTV system.

Please read this instruction manual carefully to ensure proper use of the product.



To prevent fire or shock hazardous. Do not expose the unit to rain or moisture.



The symbol is intended to alert the user to the presence of important operating and maintenance (servicing) Instructions in the literature accompanying the appliance.



The symbol is intended to alert the user to the presence of uninsulated 'dangerous voltage' within the product's enclosure that may be of sufficient Magnitude to constitute a risk of electric shock to persons.

CAUTION:

RISK OF ELECTRIC. DO NOT OPEN

SHOCK  
 CAUTION: TO REDUCE THE RISK OF ELECTRIC  
 DO NOT REMOVE COVER OR BACK NO USER  
 SERVICEABLE PARTS INSIDE. REFER SERVICING

CAUTION: TO PREVENT ELECTRIC SHOCKS AND RISK OF  
 FIRE HAZARDS, DO NOT USE OTHER THAN  
 SPECIFIED POWER SOURCE.



### Note:

- Please note the camera's operating temperature and its using environment requirement. Avoid using the camera at too high or too low temperatures. The operating temperature is -30~+60°C. (Recommendatory operating temperature is -10~+50°C.)
- Never make the camera face the sun or bright object. Otherwise, it will damage the CMOS.
- Do not mount the camera near by the radiator or heater.