



**Holographic Pet Immune Detector  
INSTALLATION INSTRUCTIONS**



**Best  
Manufacturer  
1999 & 2000**

**Intruder Alarm  
Manufacturer  
of the Year  
2000 & 2001**

**THANK YOU FOR VOTING TEXECOM**

Ask your distributor today for the new Texecom full colour Product Guide.

**Texecom**  
www.texe.com

**QUALITY ASSURANCE**



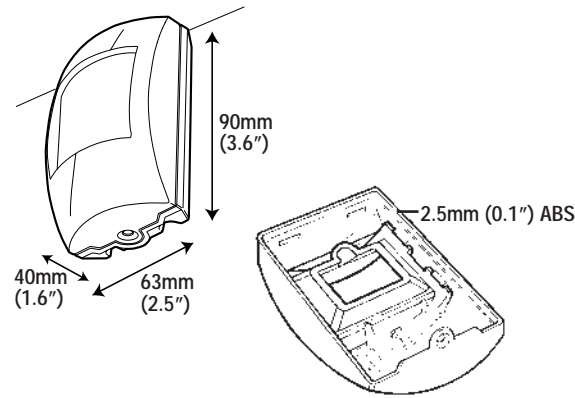
**WARRANTY**

10 year replacement warranty.

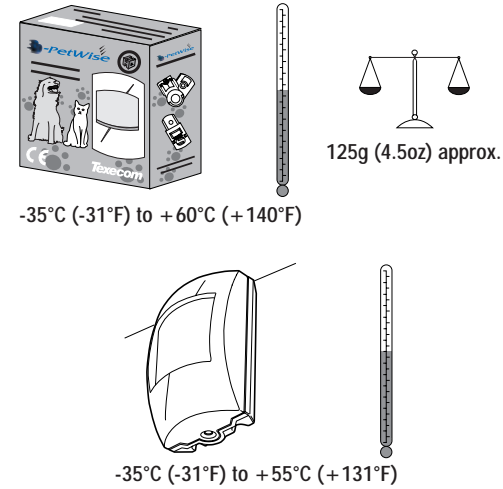
The 3D-PetWise is designed to detect the movement of an intruder and activate an alarm control panel. As the 3D-PetWise is not a complete alarm system, but only a part thereof, Texecom cannot accept responsibility or liability for any damages whatsoever based on a claim that the 3D-PetWise failed to function correctly. Due to our policy of continuous improvement Texecom reserves the right to change specification without prior notice. All specifications are measured at 20°C (68°F).

Document Ref: 3DPET/EU/1.0-5  
© 1994 - 2004 Texecom Ltd

**1 PHYSICAL**



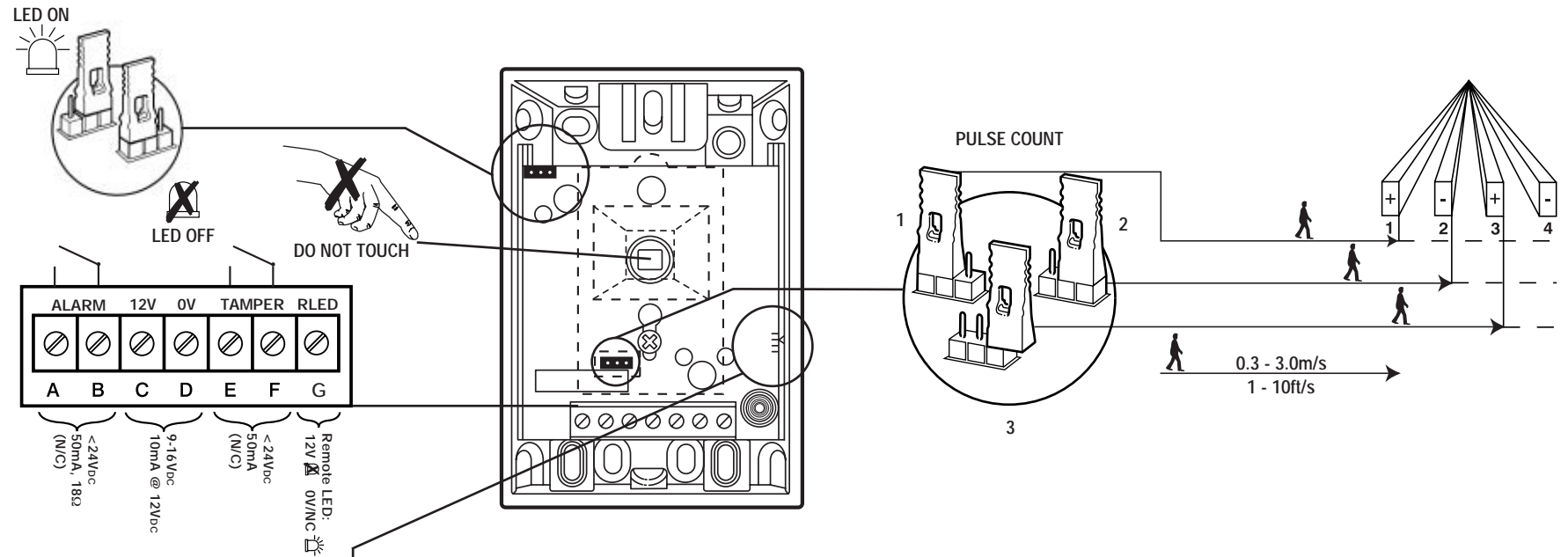
**2 ENVIRONMENTAL**



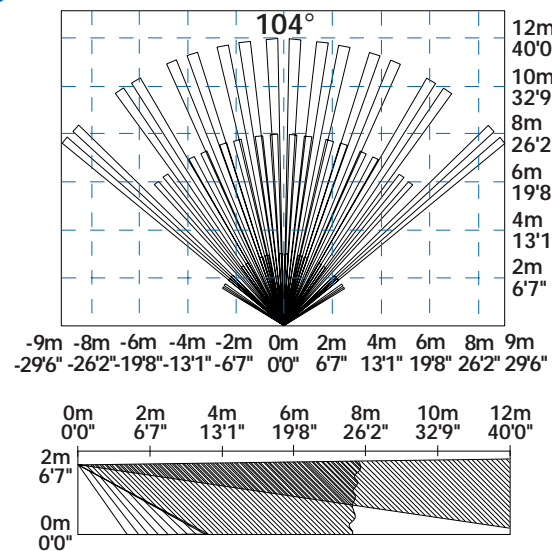
**3 FALSE ALARM PROTECTION**

- Design:** Noise reduction circuits with maximum ground plane. Intruder Confirmation Circuitry (ICC™).
- RF Immunity:** No false alarms at 200V/m due to digital telephone disturbances, tested to DD ENV 50204 : 1996, at 900MHz. No false alarms from 80MHz to 1GHz at 65V/m modulated, equivalent to a 1200W uniform transmitter at 3m (10ft). Complies with BS EN 61000-4-3 : 1997.
- Electrostatic Discharge:** No false alarm up to 8kV. Complies with BS EN 61000-4-2 : 1995.
- Fast Transient Immunity:** No false alarm up to ±4kV. Complies with BS EN 61000-4-4 : 1995.
- High Energy Transient Immunity:** No false alarm up to ±2kV. Complies with BS EN 61000-4-5 : 1995.
- Conducted RF Susceptibility:** No false alarms at 10Vrms. Complies with BS EN 61000-4-6 : 1996.
- Conducted Emissions:** Complies with EN 55022 Class B.
- Radiated Emissions:** Complies with EN 55022 Class B.
- EMC:** Independently certified to EN 50130-4 : 1996.
- Pulse Count:** Adjustable Adaptive Pulse Count. Internal link to select.

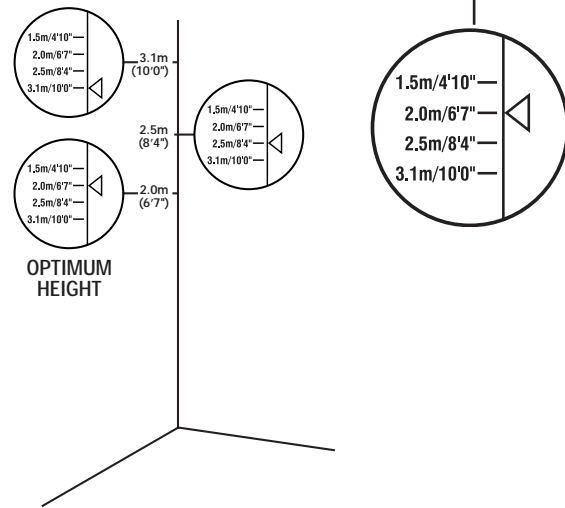
**4**



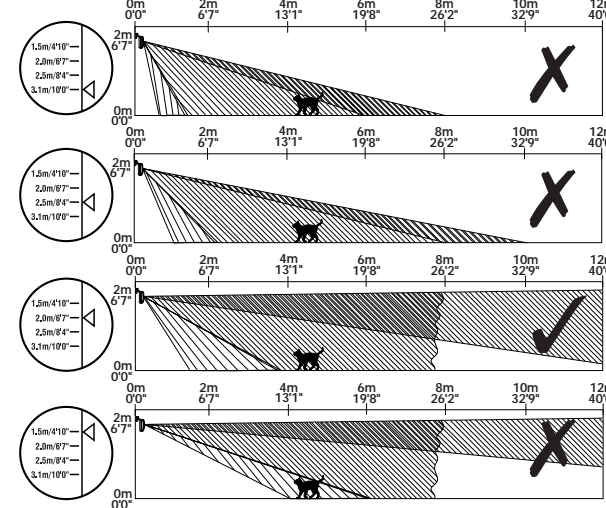
**5 COVERAGE PATTERNS**



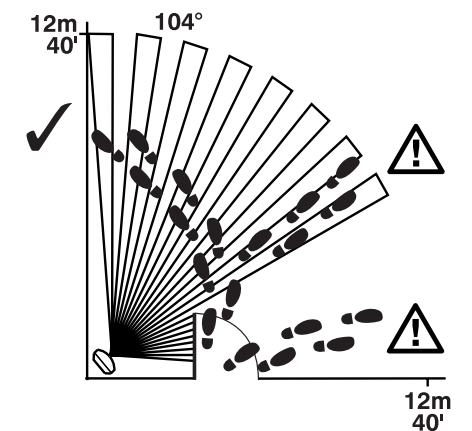
**6 MOUNTING HEIGHT AND SETTINGS**



**7 ENSURE PCB IS AT THE CORRECT POSITION (FOR CHOSEN MOUNTING HEIGHT)**

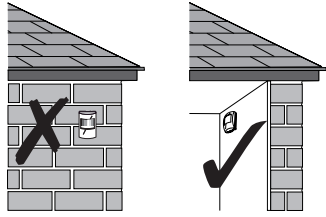


**8 BEWARE OF OBSTRUCTIONS**

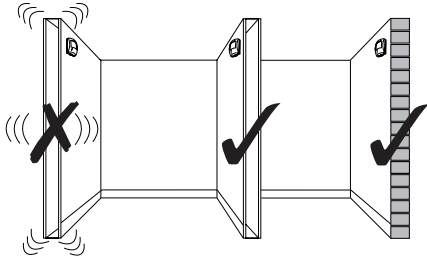


### 9 MOUNTING THE 3D-PETWISE

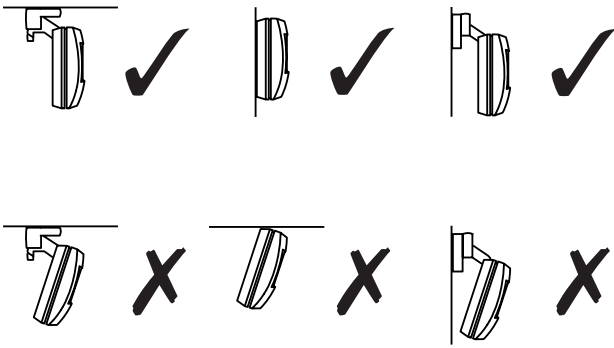
For indoor use only



Mount on a stable surface

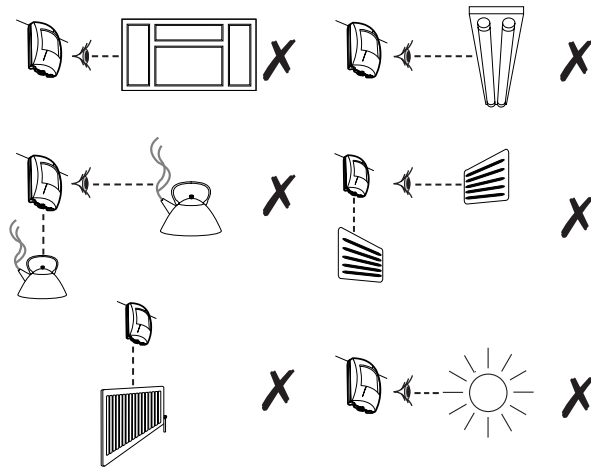


### 12 DO NOT ANGLE THE DETECTOR DOWNWARDS



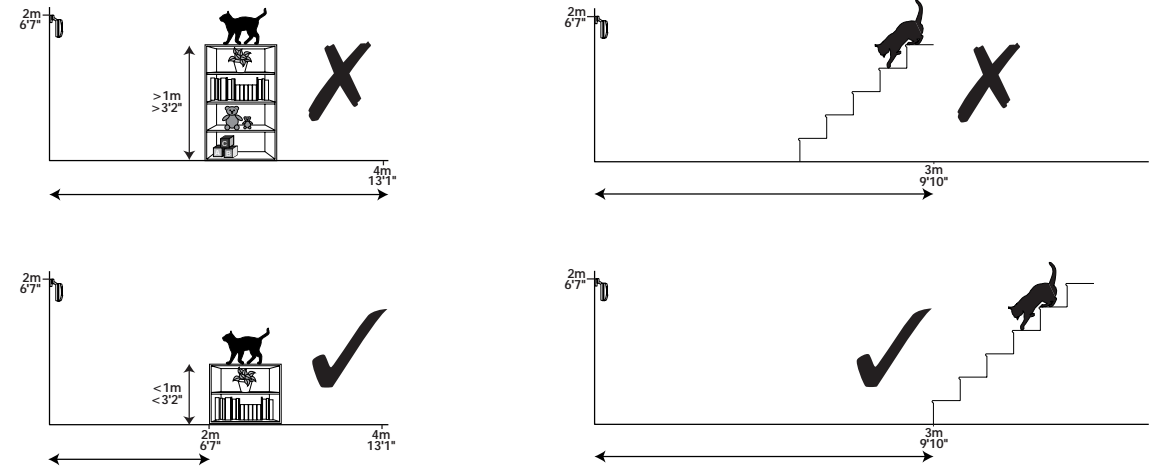
### 10 CHOOSING A LOCATION

Avoid common false alarm sources

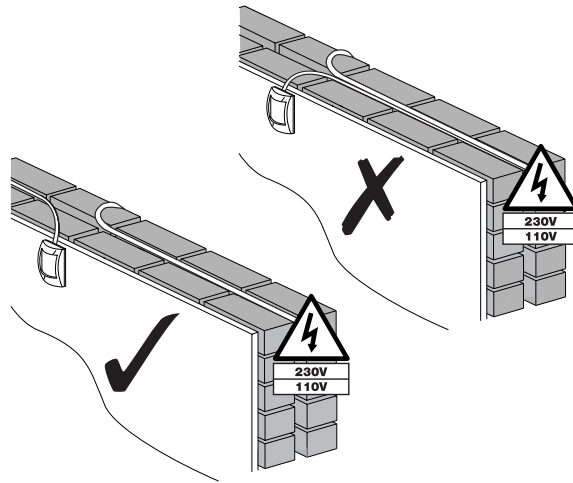


### 11 CHOOSING A LOCATION

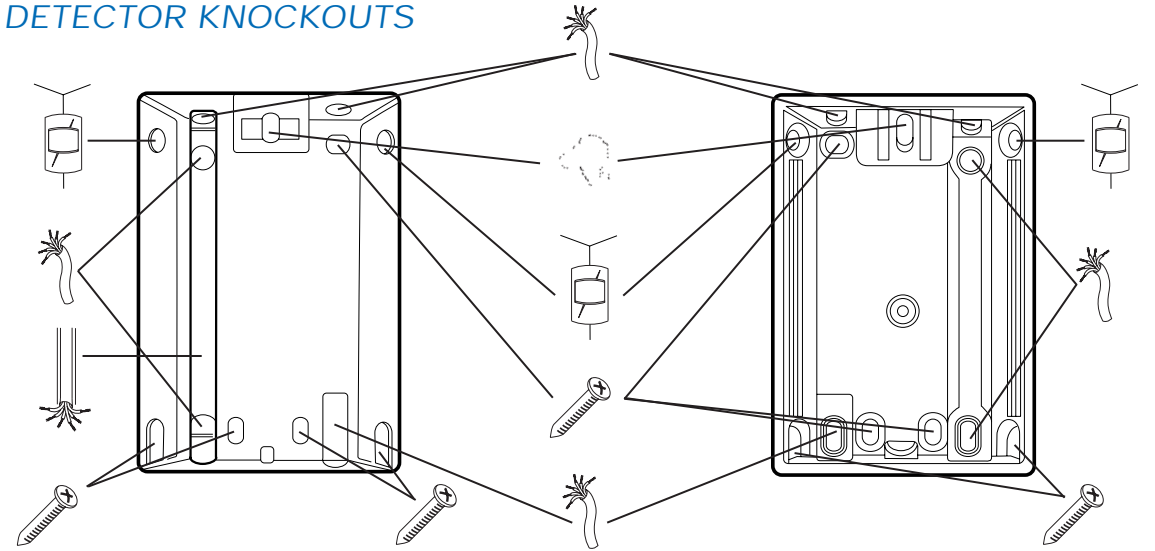
A lens masking label is included to mask off problem zones



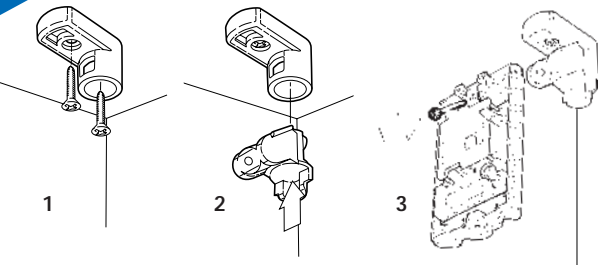
### 13 DO NOT RUN CABLES PARALLEL TO MAINS WIRES



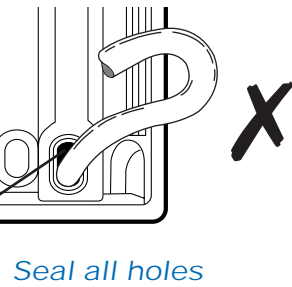
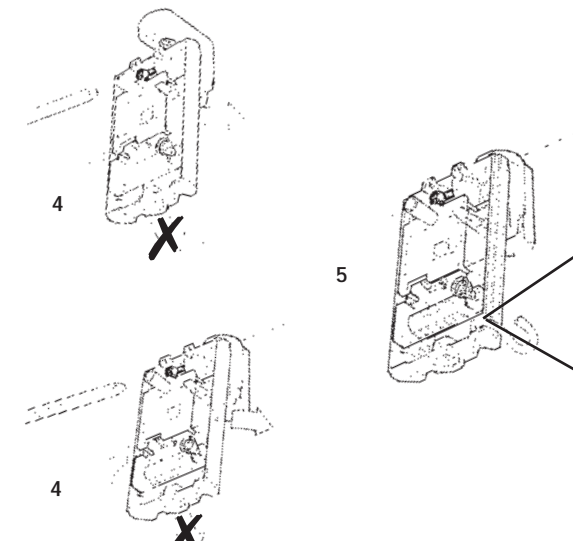
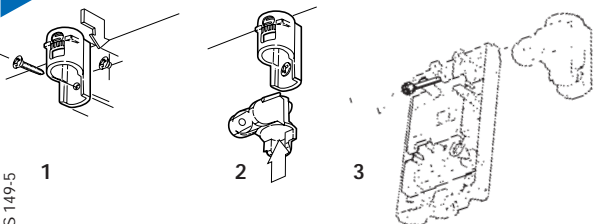
### 14 DETECTOR KNOCKOUTS



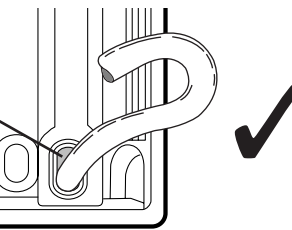
### 15 CEILING MOUNT BRACKET



### 16 WALL MOUNT BRACKET



Seal all holes



### 17 MOUNTING WITHOUT BRACKETS

