

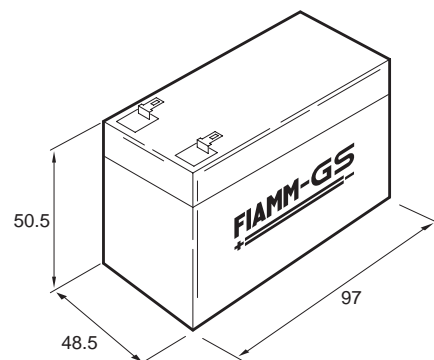
# TECHNICAL DATA SHEET OF FG 20121 (12V 1,2Ah)

# FIAMM-GS

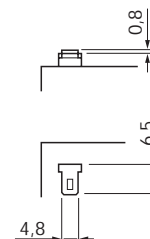
## Performance Specification for battery type FG 20121

Nominal Voltage	12 Volts
Nominal Capacity	
at 20 hour rate (60 mA to 10,5 Volts)	1,2 Ah
at 10 hour rate (106 mA to 10,5 Volts)	1,06 Ah
at 5 hour rate (196 mA to 10,2 Volts)	980 mAh
at 1 hour rate (700 mA to 9,0 Volts)	700 mAh
Dimensions (mm)	Length=97, Width=48.5, Height=50.5
Approximate weight	580 g
Energy Density	60,6 Wh/l
Specific Energy	24,8 Wh/kg
Internal Resistance (Fully charged battery)	100 mΩ
Maximum discharge current in 1 minute discharge	7,2 A
Maximum discharge current in 5 seconds discharge	18 A
Recommended charging tension (temperature=20°C)	
floating use: 13,5-13,8 V	cyclic use: 14,4-15,0 V
Thermal compensation factor	
floating use: -18mV/°C	cyclic use: -30mV/°C
Maximum charging current	0,3 A
Terminals	Flat lug type 4,8 mm
Vibration Test (2000 cycles/minute, 2,55 mm excursion, 2 hours)	No loss in capacity or performance
Shelf life - % of nominal capacity at 20°C	
1 Month	97%
3 months	91%
6 months	83%
Storage temperature	-20°C to 40°C
Operative temperature range	
Charge	0° C to 40°C
Discharge	-20°C to 50°C
Case material	Acrylonitrile-Butadiene-Styrene
	Standard Case: according to UL-94 HB
	Also available: according to UL-94 VO
Life expectancy (Stand-by)	3 to 5 years according to Eurobat standards

## Battery dimensions (mm)



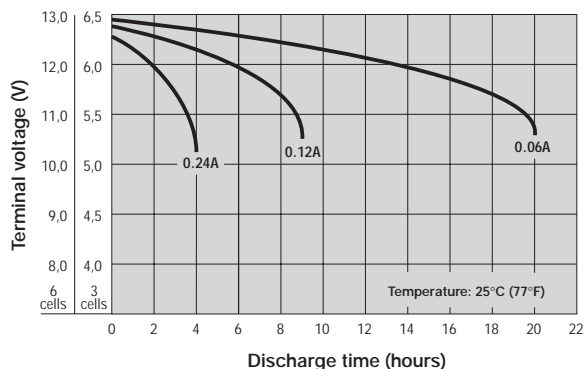
## Terminal type



## Constant Current Discharge Table (Ampere)

Time	5'	10'	15'	20'	30'	45'	1h	2h	3h	5h	10h	20h
1,8V/Cell	4,1	2,7	2,1	1,73	1,30	0,96	0,77	0,45	0,32	0,21	0,12	0,07
1,75V/Cell	4,4	2,8	2,2	1,77	1,32	0,97	0,78	0,45	0,32	0,21	0,12	0,07
1,7V/Cell	4,8	3,0	2,2	1,81	1,34	0,98	0,79	0,45	0,33	0,21	0,12	0,07
1,65V/Cell	4,9	3,0	2,2	1,82	1,34	0,98	0,79	0,45	0,33	0,22	0,12	0,07
1,6V/Cell	5,1	3,1	2,3	1,83	1,34	0,98	0,79	0,46	0,33	0,22	0,12	0,07

## Discharge time vs. discharge current



## Discharge time vs. discharge current

